

Owner's Manual

CM-2000

CONTROL MEISTER

Phasemation

Thank you for purchasing Phasemation product.
Read your Owner's Manual thoroughly for proper operation before starting to use your equipment.
Please keep your Owner's Manual with caution.





Table of Contents

Safety Instructions.....	4
Usage Cautions.....	5
Care of Equipment.....	5
Names and Functions.....	6, 7, 8
Connections.....	9
Trouble Shooting Guide.....	9
User Support.....	10
Specifications.....	10

Safety Instructions

Before starting to use In this owner's manual and on the product, various pictures are used to show our customers how to use Phasemation CM-2000 safely and properly in order to avoid the loss of our customer's assets and to protect our customers from harm.

SAFETY PRECAUTIONS

	CAUTION RISK OF ELECTRIC SHOCK DO NOT OPEN	
<p>CAUTION: TO REDUCE THE RISK OF ELECTRIC SHOCK, DO NOT REMOVE COVER (OR BACK). NO USER-SERVICEABLE PARTS INSIDE. REFER SERVICING TO QUALIFIED SERVICE PERSONNEL.</p>		
	The lightning flash with arrowhead symbol, within an equilateral triangle, is intended to alert the user to the presence of uninsulated "dangerous voltage" within the product's enclosure that may be of sufficient magnitude to constitute a risk of electric shock to persons.	
	The exclamation point within an equilateral triangle is intended to alert the user to the presence of important operating and maintenance (servicing) instructions in the literature accompanying the appliance.	
<p>WARNING: TO REDUCE THE RISK OF FIRE OR ELECTRIC SHOCK, DO NOT EXPOSE THIS APPLIANCE TO RAIN OR MOISTURE.</p>		

IMPORTANT SAFETY INSTRUCTIONS

1. Read these instructions.
2. Keep these instructions.
3. Heed all warnings.
4. Follow all instructions.
5. Do not use this apparatus near water.
6. Clean only with dry cloth.
7. Do not block any ventilation openings.
Install in accordance with the manufacturer's instructions.
8. Do not install near any heat sources such as radiators, heat registers, stoves, or other apparatus (including amplifiers) that produce heat.
9. Protect the power cord from being walked on or pinched particularly at plugs, convenience receptacles, and the point where they exit from the apparatus.
10. Only use attachments/accessories specified by the manufacturer.
11. Use only with the cart, stand, tripod, bracket, or table specified by the manufacturer, or sold with the apparatus. When a cart is used, use caution when moving the cart/apparatus combination to avoid injury from tip-over.
12. Unplug this apparatus during lightning storms or when unused for long periods of time.
13. Refer all servicing to qualified service personnel. Servicing is required when the apparatus has been damaged in any way, such as power-supply cord or plug is damaged, liquid has been spilled or objects have fallen into the apparatus, the apparatus has been exposed to rain or moisture, does not operate normally, or has been dropped.
14. Batteries shall not be exposed to excessive heat such as sunshine, fire or the like.



▪ DECLARATION OF CONFORMITY

We declare under our sole responsibility that this product, to which this declaration relates, is in conformity with the following standards:

EN60065, EN55032, EN55020, EN61000-3-2 and EN61000-3-3.

Following the provisions of Low Voltage Directive 2014/35/EU and EMC Directive 2014/30/EU

Usage Cautions

CAUTION:

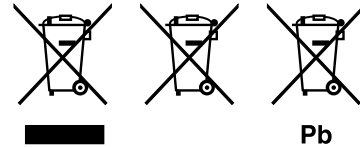
To completely disconnect this product from the mains, disconnect the plug from the wall socket outlet. The mains plug is used to completely interrupt the power supply to the unit and must be within easy access by the user.

A NOTE ABOUT RECYCLING:

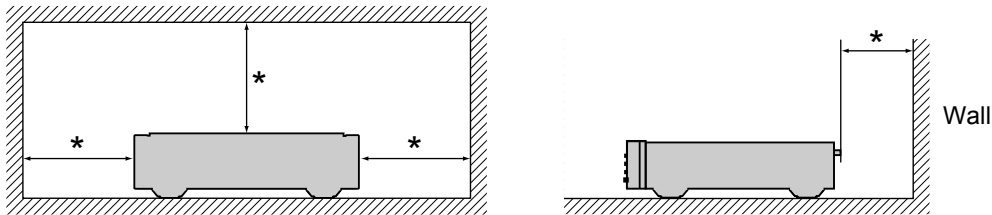
This product's packaging materials are recyclable and can be reused. Please dispose of any materials in accordance with the local recycling regulations.

When discarding the unit, comply with local rules or regulations.

This product and the supplied accessories constitute the applicable product according to the WEEE directive.



Cautions on installation



* For proper heat dispersal, do not install this unit in a confined space, such as a bookcase or similar enclosure.

- More than 0.1 m is recommended.
- Do not place any other equipment on this unit.

NOTE ON USE

WARNINGS

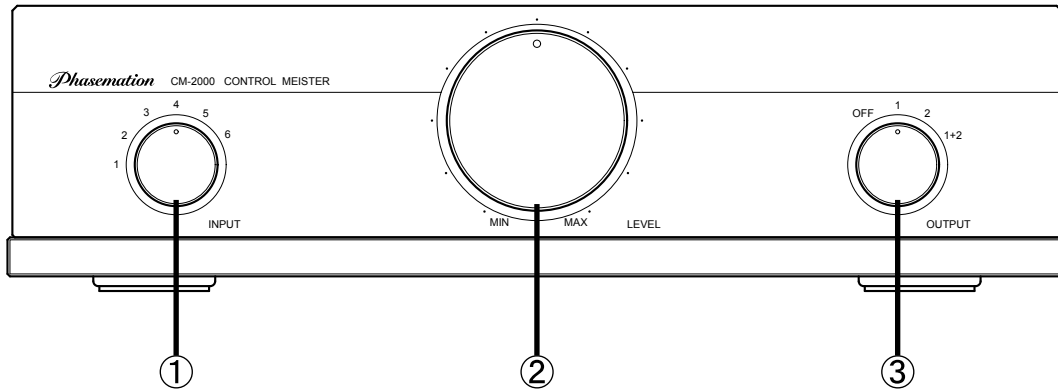
- Avoid high temperatures. Allow for sufficient heat dispersion when installed in a rack.
- Handle the power cord carefully. Hold the plug when unplugging the cord.
- Keep the unit free from moisture, water, and dust.
- Unplug the power cord when not using the unit for long periods of time.
- Do not obstruct the ventilation holes.
- Do not let foreign objects into the unit.
- Do not let insecticides, benzene, and thinner come in contact with the unit.
- Never disassemble or modify the unit in any way.
- Ventilation should not be impeded by covering the ventilation openings with items, such as newspapers, tablecloths or curtains.
- Naked flame sources such as lighted candles should not be placed on the unit.
- Observe and follow local regulations regarding battery disposal.
- Do not expose the unit to dripping or splashing fluids.
- Do not place objects filled with liquids, such as vases, on the unit.
- Do not handle the mains cord with wet hands.
- The equipment shall be installed near the power supply so that the power supply is easily accessible.
- Do not keep the battery in a place exposed to direct sunlight or in places with extremely high temperatures, such as near a heater.

Care of Equipment

- ⊙ If the equipment is covered with dust or dirt, clean it with a soft cloth.
- ⊙ If the equipment is very dirty, put detergent which is thinned very well with water on a soft cloth. Wring the cloth and wipe off the dust and dirt. Then clean with a dry soft cloth.
- ⊙ Never use chemical agents such as thinner, naphtha or alcohol when cleaning it. If any of them are attached to the equipment, the silk printing can be flaked or the surface can lose metal luster.

Names and Functions

Front Panel



1) INPUT SELECTOR Knob

The input terminal corresponding to the source played can be selected.

2) LEVEL Knob

The volume can be adjusted so that when the knob is turned to the right (clockwise rotation), the volume is increased and when it is turned to the left (anticlockwise rotation), the volume is decreased.

Note

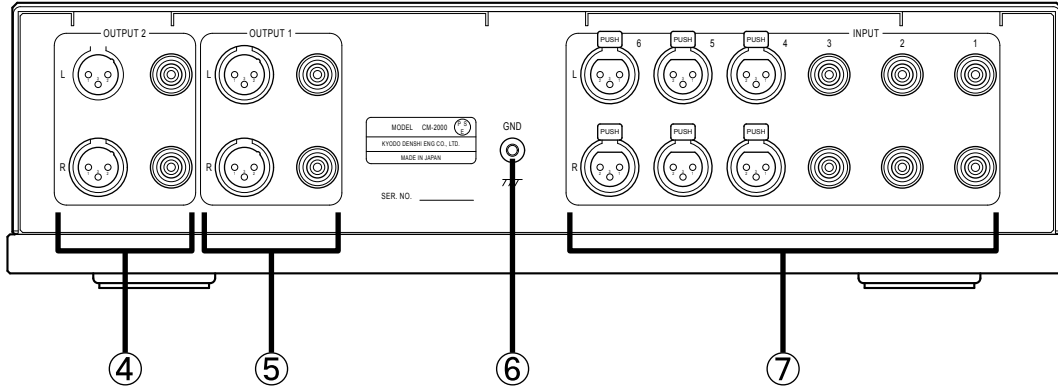
For a source having many low region signals or for a volume change of large steps (LEVEL knob position: less than the 9 o'clock position), popping noises may be heard (although rare) from the speakers by operating the LEVEL knob. However, this phenomenon is not a failure and the noise can occur because this unit's method for adjusting the level is done by switching the attenuation grade which is done by using a high precision rotary switch.

3) OUTPUT SELECTOR Knob

This unit's output terminals are combined of an unbalanced output due to the RCA pin connector and a balanced output due to the XLR connector which are (1) and (2) and each of the outputs can be turned on/off with this knob.

Names and Functions

Rear Panel



4),5) OUTPUT 1, 2 Terminals

This unit's output terminals are combined of an unbalanced output due to the RCA pin connector and a balanced output due to the XLR connector which are (1) and (2) and each of the outputs can be turned on/off with the OUTPUT SELECTOR knob.

6) GND Terminal

This is a ground reference point for audio signals.

Caution

Avoid connecting the ground using this terminal to equipments connected through the RCA pin connector or XLR connector. The sound quality can be deteriorated because of forming a ground loop among some equipment.

Utilize this terminal to connect the ground of an equipment that is separated from audio signals such as the motor of an analog player, the chassis of an MC step-up transformer, or the ground from the solid earth as necessary.

7) INPUT Terminal

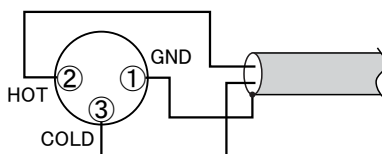
This terminal is for connecting output terminals such as CD players, phono amplifiers, and tuners. The input terminal has 3 unbalanced inputs due to the RCA pin connector and 3 balanced inputs due to the XLR pin connector.

Caution

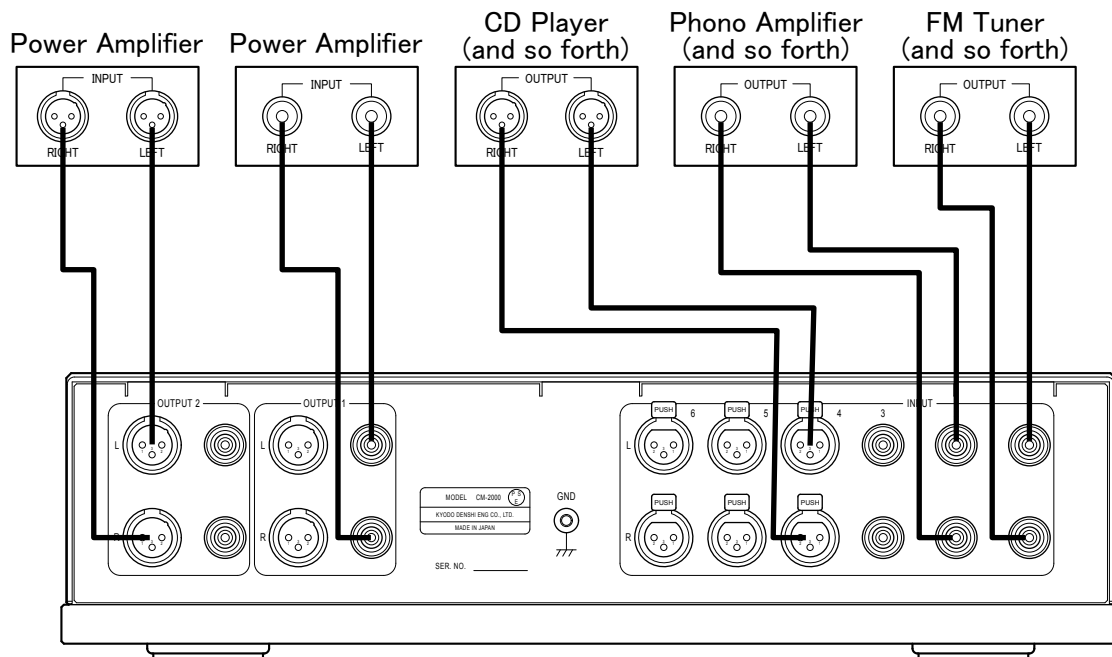
This unit's balanced input/output is directly connected to the ATT transformer. Therefore, if an unbalanced \Rightarrow balanced converting adaptor or so forth is connected to the balanced input/output of this unit, the actual performance cannot be carried out. On this unit's balanced input/output, use by connecting only balanced inputs/outputs.

Note

For this unit, an XLR connector is used for the balanced terminal. The pin settings are as shown in the diagram.
Pin 1 = GND, Pin 2 = HOT, Pin 3 = COLD



Connections



Trouble Shooting Guide

In case the equipment does not operate properly, check out the followings.

If it does not operate properly even after checking the advised points, disconnect the AC plug from the outlet and then contact the dealer.

Trouble	Causes	Measures
The sound is not heard	<ul style="list-style-type: none"> ● Is the OUTPUT SELECTOR knob set to off? 	<ul style="list-style-type: none"> ● Use it with the correct setting.
A popping noise is heard when turning the LEVEL knob	<p>For a source having many low region signals or for a volume change of large steps (LEVEL knob position: less than the 9 o'clock position), popping noises may be heard (although rare) from the speakers by operating the LEVEL knob. However, this phenomenon is not a failure and the noise can occur because this unit's method for adjusting the level is done by switching the attenuation grade which is done by using a high precision rotary switch.</p>	

User Support

As for the unclear matters with regards to the after service, please contact the dealer.

Specifications

Form	Passive Attenuator Type Controller
Input Impedance	47k Ω or more
Crosstalk	100dB or more (20Hz - 20kHz)
Frequency Characteristics	10Hz - 100kHz (+0,-3dB)
Output Impedance	250 Ω or more
Input Terminal	RCA \times 3, XLR \times 3
	Rhodium Platted Terminal by Furutech
Output Terminal	RCA \times 2, XLR \times 2
	Rhodium Platted Terminal by Furutech
Maximum External Dimensions (mm)	434(W) \times 117(H) \times 289(D)
Weight	10kg

- The appearance and specifications of this equipment are subject to change without notice in order to improve it.

Phasemation

Kyodo Denshi Engineering Co., Ltd.

8-40-17 Shinyoshidahigashi Kohoku-ku Yokohama-shi Kanagawa 223-0058 Japan

TEL 81-45-710-0975

FAX 81-45-710-0976

E-mail info@phasemation.com

URL <http://phasemation.com>

Phasemation is the original audio brand of Kyodo Denshi Engineering Co., Ltd.